

1 2 3 4 5 6

A

A

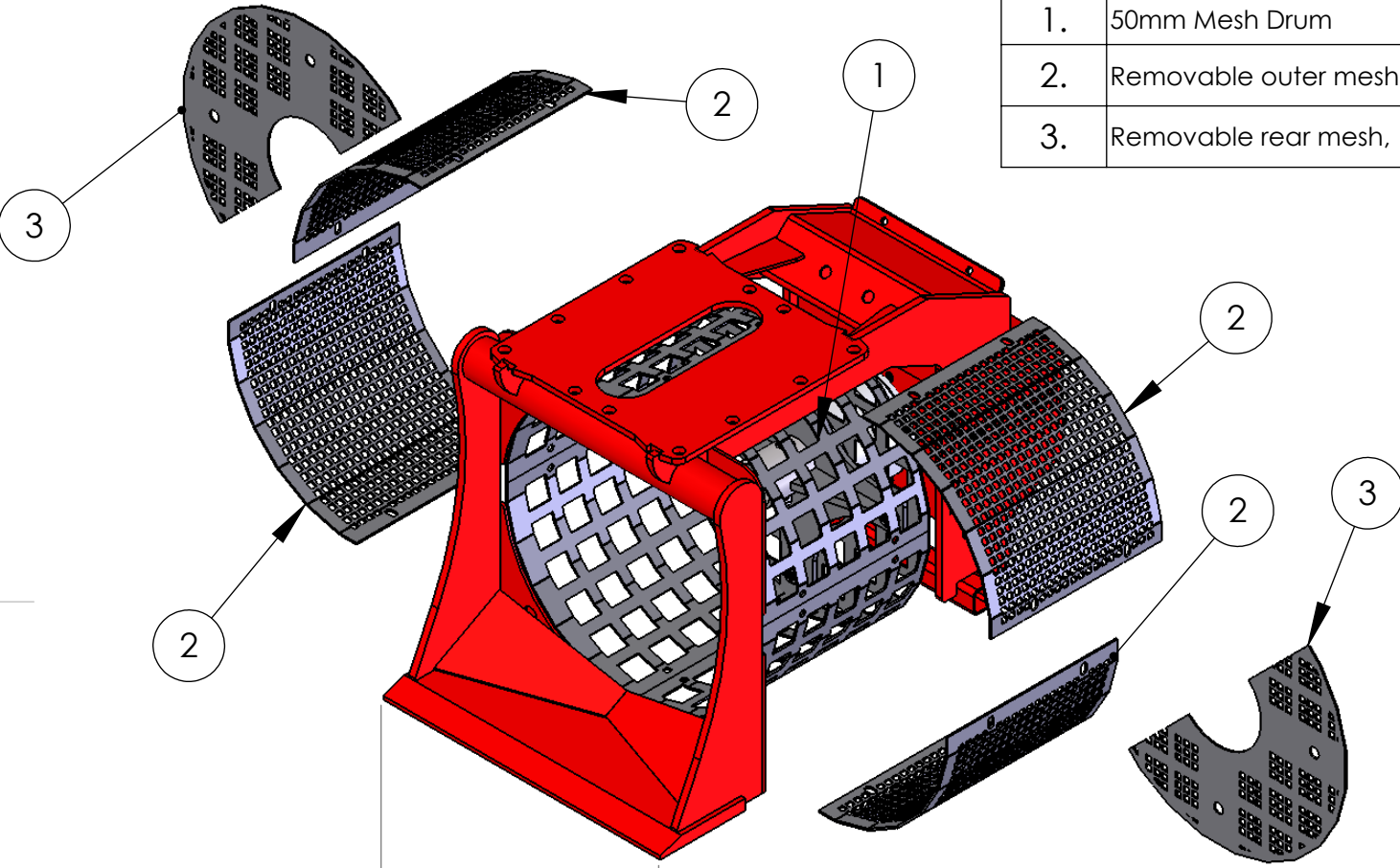
B

B

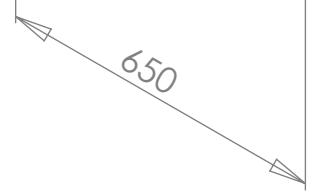
C

C

D



Item	Description	Qty
1.	50mm Mesh Drum	1
2.	Removable outer mesh, 12 or 25mm	2
3.	Removable rear mesh, 12 or 25mm	2



UNLESS OTHERWISE SPECIFIED:  
 DIMENSIONS ARE IN MILLIMETERS  
 SURFACE FINISH:  
 TOLERANCES:  
 LINEAR:  
 ANGULAR:

FINISH:

DEBUR AND  
 BREAK SHARP  
 EDGES

DO NOT SCALE DRAWING

REVISION



	NAME	SIGNATURE	DATE
DRAWN			07 August 2012 13:42:51
CHK'D			
APPV'D			
MFG			
Q.A			

MATERIAL:

WEIGHT:

TITLE:

DWG NO. **BAV-RS2\_exploded** A4

SCALE: 1:50

SHEET 1 OF 1

1 2 3 4 5 6