

1 2 3 4 5 6

A

B

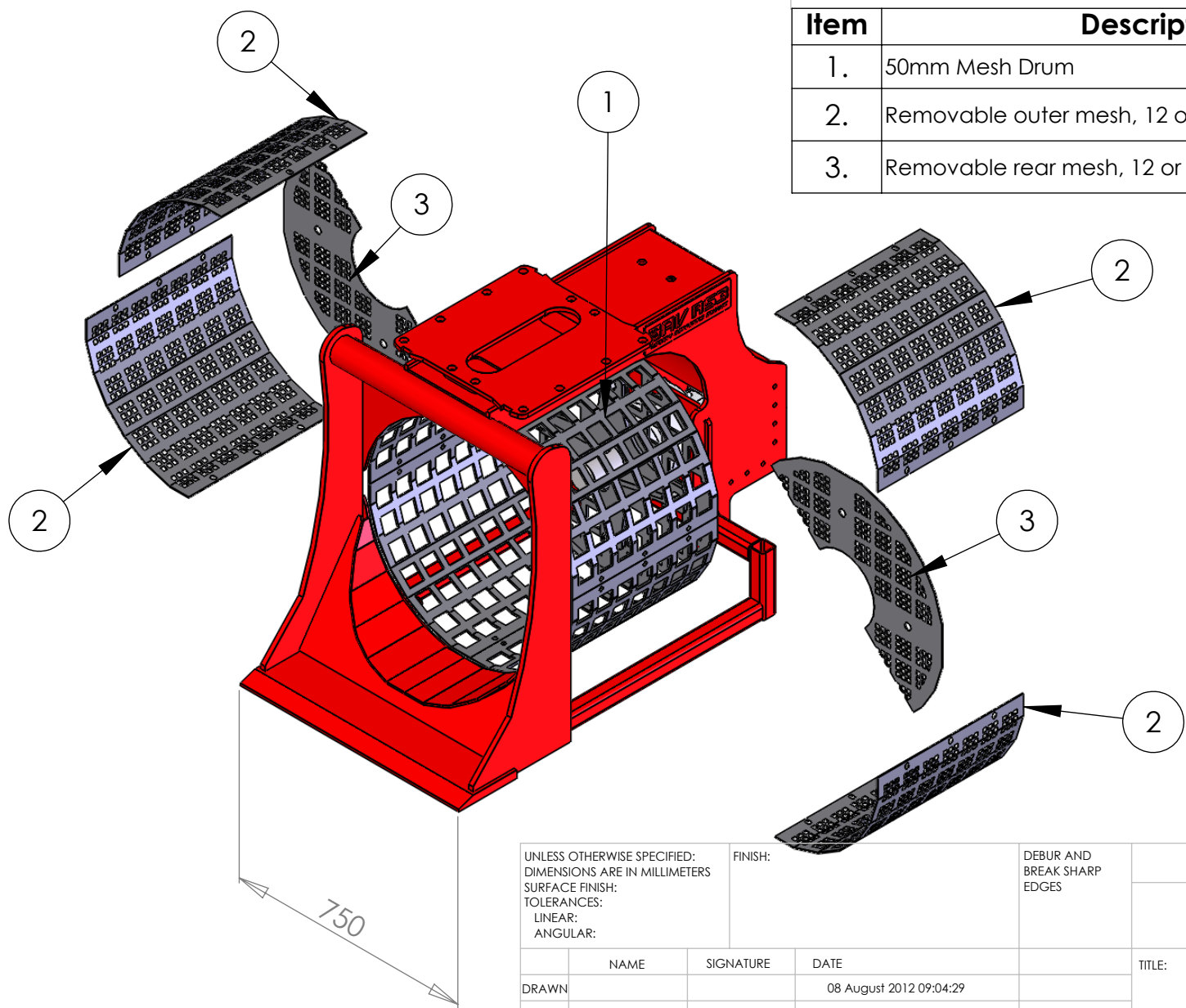
C

D

A

B

C



Item	Description	Qty
1.	50mm Mesh Drum	1
2.	Removable outer mesh, 12 or 25mm	2
3.	Removable rear mesh, 12 or 25mm	2

UNLESS OTHERWISE SPECIFIED:  
 DIMENSIONS ARE IN MILLIMETERS  
 SURFACE FINISH:  
 TOLERANCES:  
 LINEAR:  
 ANGULAR:

FINISH:  
  
 DEBUR AND  
 BREAK SHARP  
 EDGES

DO NOT SCALE DRAWING REVISION



	NAME	SIGNATURE	DATE
DRAWN			08 August 2012 09:04:29
CHK'D			
APPV'D			
MFG			
Q.A			

MATERIAL:  
  
 WEIGHT:

TITLE:  
 500MM Mesh  
 DWG NO. **BAV-RS3\_Exploded** A4  
 SCALE:1:50 SHEET 1 OF 1